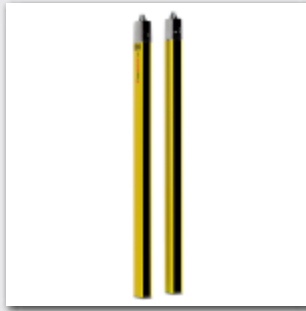


//SAFETY LIGHT CURTAINS

CURTAIN FOR EFFICIENT SAFETY

Reliable and interference-immune sensor safety technology ensures high system availability and productivity. Wherever man and machine work "hand in hand", our safety light curtains can be used vertically as hand and finger protection, as access guarding as well as horizontally as area protection. With respect to integration capability, availability and cost effectiveness, they meet the highest requirements.

/// MLC 500



The MLC 500 series includes the newest generation of extremely sturdy type 4 safety light curtains. Three function classes – Basic, Standard and Extended – enable the most efficient use of devices from simple standard applications to complex controlled safeguarding processes. The devices can be used universally, due to the flexible fastening concept and the option of form-locking installation. In addition, the series offers custom solutions for further areas of application. These include AIDA (Automation Initiative of German automobile manufacturers)-compliant pin assignment, integrated AS-i interface, safety classes IP67/69K as well as especially impact-resistant, cascadable or EX-certified models.



Switching sensors

Measuring sensors

Products for safety at work

PART NUMBER CODES – MLC 500, MLC 300 safety light curtains

M L C 3 0 0 T 1 4 h h h h H / A - E X 2

Type	MLC	Safety light curtain
Series	3	MLC 300
	5	MLC 500
Function	00	Transmitter
	01	Transmitter (AIDA)
	10	Automatic restart
	11	Automatic restart (AIDA)
	20	EDM/RES selectable
	30	Muting/blinking/linkage (MLC 530 only)
Device type	T	Transmitter
	R	Receiver
Resolution	14	14 mm / operating range 0–6 m (MLC 500 only)
	20	20 mm / operating range 0–14 m
	30	30 mm / operating range 0–10 m
	40	40 mm / operating range 0–20 m
	90	90 mm / operating range 0–20 m
Protective field height	hhhh	150...3000 mm
Host/Guest	H	Host
	MG	MiddleGuest
	G	Guest
Interface (MLC 500 only)	/A	AS-Interface
Option	EX2	Explosion protection
	/V	Extra shock-resistant

Identification

Data transmission / Control components

Industrial image processing

Accessories

MLC 510

This Basic model of the type 4 safety light curtains provides the most important functions. Range reduction on the transmitter, reversible transmission channels, a LED display as well as an automatic start/restart interlock round out the range of service. The type 4 Basic model is suitable for a range of applications and is optionally available with AS-i interface or safety class IP 67/69K.

Benefits:

- Automatic start/restart
- Optimal handling
- Prevention of mutual interference of the sensors by selectable transmission channels and range reduction, if applicable
- Universal application due to standard functions
- Short delivery times and global availability
- QR code on the sensor for quick service information

Part no.	Part description	Protective field height	Resolution	Operating range	Connection	Design
68001101	▶ MLC510R14-150	150 mm	14 mm		Connector, metal, M12, 5-pin	
68000101	◀ MLC500T14-150	150 mm	14 mm	0 ... 6 m	Connector, metal, M12, 5-pin	
68008101	◀ MLC502T14-150	150 mm	14 mm	0 ... 6 m	Connector, metal, M12, 5-pin	Test signal input
68007101	▶ MLC510R14-150/A	150 mm	14 mm		Connector, metal, M12, 5-pin	AS-Interface Safety at Work
68006101	◀ MLC500T14-150/A	150 mm	14 mm	0 ... 6 m	Connector, metal, M12, 5-pin	AS-Interface Safety at Work
68001103	▶ MLC510R14-300	300 mm	14 mm		Connector, metal, M12, 5-pin	
68000103	◀ MLC500T14-300	300 mm	14 mm	0 ... 6 m	Connector, metal, M12, 5-pin	
68008103	◀ MLC502T14-300	300 mm	14 mm	0 ... 6 m	Connector, metal, M12, 5-pin	Test signal input
68007103	▶ MLC510R14-300/A	300 mm	14 mm		Connector, metal, M12, 5-pin	AS-Interface Safety at Work
68006103	◀ MLC500T14-300/A	300 mm	14 mm	0 ... 6 m	Connector, metal, M12, 5-pin	AS-Interface Safety at Work
68001133	▶ MLC510R14-300/V	300 mm	14 mm		Connector, metal, M12, 5-pin	Extra shock-resistant
68000133	◀ MLC500T14-300/V	300 mm	14 mm	0 ... 6 m	Connector, metal, M12, 5-pin	Extra shock-resistant
544007	▶ MLC510R14-300-IP	300 mm	14 mm		Cable with connector, metal, M12, 5-pin, 15,000 mm	IP 67 / IP 69K
544000	◀ MLC500T14-300-IP	300 mm	14 mm	0 ... 4.8 m	Cable with connector, metal, M12, 5-pin, 15,000 mm	IP 67 / IP 69K
68001104	▶ MLC510R14-450	450 mm	14 mm		Connector, metal, M12, 5-pin	
68000104	◀ MLC500T14-450	450 mm	14 mm	0 ... 6 m	Connector, metal, M12, 5-pin	
68008104	◀ MLC502T14-450	450 mm	14 mm	0 ... 6 m	Connector, metal, M12, 5-pin	Test signal input
68007104	▶ MLC510R14-450/A	450 mm	14 mm		Connector, metal, M12, 5-pin	AS-Interface Safety at Work
68006104	◀ MLC500T14-450/A	450 mm	14 mm	0 ... 6 m	Connector, metal, M12, 5-pin	AS-Interface Safety at Work
68001134	▶ MLC510R14-450/V	450 mm	14 mm		Connector, metal, M12, 5-pin	Extra shock-resistant
68000134	◀ MLC500T14-450/V	450 mm	14 mm	0 ... 6 m	Connector, metal, M12, 5-pin	Extra shock-resistant
544008	▶ MLC510R14-450-IP	450 mm	14 mm		Cable with connector, metal, M12, 5-pin, 15,000 mm	IP 67 / IP 69K
544001	◀ MLC500T14-450-IP	450 mm	14 mm	0 ... 4.8 m	Cable with connector, metal, M12, 5-pin, 15,000 mm	IP 67 / IP 69K
68001106	▶ MLC510R14-600	600 mm	14 mm		Connector, metal, M12, 5-pin	
68000106	◀ MLC500T14-600	600 mm	14 mm	0 ... 6 m	Connector, metal, M12, 5-pin	
68008106	◀ MLC502T14-600	600 mm	14 mm	0 ... 6 m	Connector, metal, M12, 5-pin	Test signal input
68007106	▶ MLC510R14-600/A	600 mm	14 mm		Connector, metal, M12, 5-pin	AS-Interface Safety at Work
68006106	◀ MLC500T14-600/A	600 mm	14 mm	0 ... 6 m	Connector, metal, M12, 5-pin	AS-Interface Safety at Work
68001136	▶ MLC510R14-600/V	600 mm	14 mm		Connector, metal, M12, 5-pin	Extra shock-resistant
68000136	◀ MLC500T14-600/V	600 mm	14 mm	0 ... 6 m	Connector, metal, M12, 5-pin	Extra shock-resistant
544009	▶ MLC510R14-600-IP	600 mm	14 mm		Cable with connector, metal, M12, 5-pin, 15,000 mm	IP 67 / IP 69K
544002	◀ MLC500T14-600-IP	600 mm	14 mm	0 ... 4.8 m	Cable with connector, metal, M12, 5-pin, 15,000 mm	IP 67 / IP 69K
68001107	▶ MLC510R14-750	750 mm	14 mm		Connector, metal, M12, 5-pin	
68000107	◀ MLC500T14-750	750 mm	14 mm	0 ... 6 m	Connector, metal, M12, 5-pin	
68008107	◀ MLC502T14-750	750 mm	14 mm	0 ... 6 m	Connector, metal, M12, 5-pin	Test signal input
68007107	▶ MLC510R14-750/A	750 mm	14 mm		Connector, metal, M12, 5-pin	AS-Interface Safety at Work
68006107	◀ MLC500T14-750/A	750 mm	14 mm	0 ... 6 m	Connector, metal, M12, 5-pin	AS-Interface Safety at Work
68001137	▶ MLC510R14-750/V	750 mm	14 mm		Connector, metal, M12, 5-pin	Extra shock-resistant
68000137	◀ MLC500T14-750/V	750 mm	14 mm	0 ... 6 m	Connector, metal, M12, 5-pin	Extra shock-resistant
544010	▶ MLC510R14-750-IP	750 mm	14 mm		Cable with connector, metal, M12, 5-pin, 15,000 mm	IP 67 / IP 69K
544003	◀ MLC500T14-750-IP	750 mm	14 mm	0 ... 4.8 m	Cable with connector, metal, M12, 5-pin, 15,000 mm	IP 67 / IP 69K
68001109	▶ MLC510R14-900	900 mm	14 mm		Connector, metal, M12, 5-pin	
68000109	◀ MLC500T14-900	900 mm	14 mm	0 ... 6 m	Connector, metal, M12, 5-pin	
68008109	◀ MLC502T14-900	900 mm	14 mm	0 ... 6 m	Connector, metal, M12, 5-pin	Test signal input
68007109	▶ MLC510R14-900/A	900 mm	14 mm		Connector, metal, M12, 5-pin	AS-Interface Safety at Work
68006109	◀ MLC500T14-900/A	900 mm	14 mm	0 ... 6 m	Connector, metal, M12, 5-pin	AS-Interface Safety at Work
68001139	▶ MLC510R14-900/V	900 mm	14 mm		Connector, metal, M12, 5-pin	Extra shock-resistant
68000139	◀ MLC500T14-900/V	900 mm	14 mm	0 ... 6 m	Connector, metal, M12, 5-pin	Extra shock-resistant

▶ receiver / ◀ transmitter

Included in delivery: sliding blocks. For MLC...-IP: mounting bracket.

Further products of this series can be found on our website.

Available resolutions: 14 mm, 20 mm, 30 mm, 40 mm, 90 mm.

Part no.	Part description	Protective field height	Resolution	Operating range	Connection	Design
544011	▶ MLC510R14-900-IP	900 mm	14 mm		Cable with connector, metal, M12, 5-pin, 15,000 mm	IP 67 / IP 69K
544004	◀ MLC500T14-900-IP	900 mm	14 mm	0 ... 4.8 m	Cable with connector, metal, M12, 5-pin, 15,000 mm	IP 67 / IP 69K
68001110	▶ MLC510R14-1050	1,050 mm	14 mm		Connector, metal, M12, 5-pin	
68000110	◀ MLC500T14-1050	1,050 mm	14 mm	0 ... 6 m	Connector, metal, M12, 5-pin	
68008110	◀ MLC502T14-1050	1,050 mm	14 mm	0 ... 6 m	Connector, metal, M12, 5-pin	Test signal input
68007110	▶ MLC510R14-1050/A	1,050 mm	14 mm		Connector, metal, M12, 5-pin	AS-Interface Safety at Work
68006110	◀ MLC500T14-1050/A	1,050 mm	14 mm	0 ... 6 m	Connector, metal, M12, 5-pin	AS-Interface Safety at Work
544012	▶ MLC510R14-1050-IP	1,050 mm	14 mm		Cable with connector, metal, M12, 5-pin, 15,000 mm	IP 67 / IP 69K
544005	◀ MLC500T14-1050-IP	1,050 mm	14 mm	0 ... 4.8 m	Cable with connector, metal, M12, 5-pin, 15,000 mm	IP 67 / IP 69K
68001112	▶ MLC510R14-1200	1,200 mm	14 mm		Connector, metal, M12, 5-pin	
68000112	◀ MLC500T14-1200	1,200 mm	14 mm	0 ... 6 m	Connector, metal, M12, 5-pin	
68008112	◀ MLC502T14-1200	1,200 mm	14 mm	0 ... 6 m	Connector, metal, M12, 5-pin	Test signal input
68007112	▶ MLC510R14-1200/A	1,200 mm	14 mm		Connector, metal, M12, 5-pin	AS-Interface Safety at Work
68006112	◀ MLC500T14-1200/A	1,200 mm	14 mm	0 ... 6 m	Connector, metal, M12, 5-pin	AS-Interface Safety at Work
544013	▶ MLC510R14-1200-IP	1,200 mm	14 mm		Cable with connector, metal, M12, 5-pin, 15,000 mm	IP 67 / IP 69K
544006	◀ MLC500T14-1200-IP	1,200 mm	14 mm	0 ... 4.8 m	Cable with connector, metal, M12, 5-pin, 15,000 mm	IP 67 / IP 69K
68001113	▶ MLC510R14-1350	1,350 mm	14 mm		Connector, metal, M12, 5-pin	
68000113	◀ MLC500T14-1350	1,350 mm	14 mm	0 ... 6 m	Connector, metal, M12, 5-pin	
68008113	◀ MLC502T14-1350	1,350 mm	14 mm	0 ... 6 m	Connector, metal, M12, 5-pin	Test signal input
68007113	▶ MLC510R14-1350/A	1,350 mm	14 mm		Connector, metal, M12, 5-pin	AS-Interface Safety at Work
68006113	◀ MLC500T14-1350/A	1,350 mm	14 mm	0 ... 6 m	Connector, metal, M12, 5-pin	AS-Interface Safety at Work
68001115	▶ MLC510R14-1500	1,500 mm	14 mm		Connector, metal, M12, 5-pin	
68000115	◀ MLC500T14-1500	1,500 mm	14 mm	0 ... 6 m	Connector, metal, M12, 5-pin	
68008115	◀ MLC502T14-1500	1,500 mm	14 mm	0 ... 6 m	Connector, metal, M12, 5-pin	Test signal input
68007115	▶ MLC510R14-1500/A	1,500 mm	14 mm		Connector, metal, M12, 5-pin	AS-Interface Safety at Work
68006115	◀ MLC500T14-1500/A	1,500 mm	14 mm	0 ... 6 m	Connector, metal, M12, 5-pin	AS-Interface Safety at Work
68001116	▶ MLC510R14-1650	1,650 mm	14 mm		Connector, metal, M12, 5-pin	
68000116	◀ MLC500T14-1650	1,650 mm	14 mm	0 ... 6 m	Connector, metal, M12, 5-pin	
68008116	◀ MLC502T14-1650	1,650 mm	14 mm	0 ... 6 m	Connector, metal, M12, 5-pin	Test signal input
68007116	▶ MLC510R14-1650/A	1,650 mm	14 mm		Connector, metal, M12, 5-pin	AS-Interface Safety at Work
68006116	◀ MLC500T14-1650/A	1,650 mm	14 mm	0 ... 6 m	Connector, metal, M12, 5-pin	AS-Interface Safety at Work
68001118	▶ MLC510R14-1800	1,800 mm	14 mm		Connector, metal, M12, 5-pin	
68000118	◀ MLC500T14-1800	1,800 mm	14 mm	0 ... 6 m	Connector, metal, M12, 5-pin	
68008118	◀ MLC502T14-1800	1,800 mm	14 mm	0 ... 6 m	Connector, metal, M12, 5-pin	Test signal input
68007118	▶ MLC510R14-1800/A	1,800 mm	14 mm		Connector, metal, M12, 5-pin	AS-Interface Safety at Work
68006118	◀ MLC500T14-1800/A	1,800 mm	14 mm	0 ... 6 m	Connector, metal, M12, 5-pin	AS-Interface Safety at Work
68001119	▶ MLC510R14-1950	1,950 mm	14 mm		Connector, metal, M12, 5-pin	
68000119	◀ MLC500T14-1950	1,950 mm	14 mm	0 ... 6 m	Connector, metal, M12, 5-pin	
68001121	▶ MLC510R14-2100	2,100 mm	14 mm		Connector, metal, M12, 5-pin	
68000121	◀ MLC500T14-2100	2,100 mm	14 mm	0 ... 6 m	Connector, metal, M12, 5-pin	
68001122	▶ MLC510R14-2250	2,250 mm	14 mm		Connector, metal, M12, 5-pin	
68000122	◀ MLC500T14-2250	2,250 mm	14 mm	0 ... 6 m	Connector, metal, M12, 5-pin	
68001124	▶ MLC510R14-2400	2,400 mm	14 mm		Connector, metal, M12, 5-pin	
68000124	◀ MLC500T14-2400	2,400 mm	14 mm	0 ... 6 m	Connector, metal, M12, 5-pin	
68001125	▶ MLC510R14-2550	2,550 mm	14 mm		Connector, metal, M12, 5-pin	
68000125	◀ MLC500T14-2550	2,550 mm	14 mm	0 ... 6 m	Connector, metal, M12, 5-pin	
68001127	▶ MLC510R14-2700	2,700 mm	14 mm		Connector, metal, M12, 5-pin	
68000127	◀ MLC500T14-2700	2,700 mm	14 mm	0 ... 6 m	Connector, metal, M12, 5-pin	
68001128	▶ MLC510R14-2850	2,850 mm	14 mm		Connector, metal, M12, 5-pin	
68000128	◀ MLC500T14-2850	2,850 mm	14 mm	0 ... 6 m	Connector, metal, M12, 5-pin	
68001130	▶ MLC510R14-3000	3,000 mm	14 mm		Connector, metal, M12, 5-pin	
68000130	◀ MLC500T14-3000	3,000 mm	14 mm	0 ... 6 m	Connector, metal, M12, 5-pin	

▶ receiver / ◀ transmitter
 Included in delivery: sliding blocks. For MLC...-IP: mounting bracket.
 Further products of this series can be found on our website.
 Available resolutions: 14 mm, 20 mm, 30 mm, 40 mm, 90 mm.

Switching sensors

Measuring sensors

Products for safety at work

Identification

Data transmission / Control components

Industrial image processing

Accessories

MLC 511

The devices have a plug connection with AIDA-compliant M12 pin assignment (Automatisierungs-Initiative deutscher Automobilisten (AIDA) = Automation Initiative of German automobile manufacturers).

Benefits:

- Automatic start/restart
- Optimal handling
- Range reduction on demand
- Universal application due to standard functions
- Short delivery times and global availability
- QR code on the sensor for quick service information

Part no.	Part description	Protective field height	Resolution	Operating range	Connection	Design
68005103	▶ MLC511R14-300	300 mm	14 mm		Connector, metal, M12, 4-pin	AIDA-compliant
68004103	◀ MLC501T14-300	300 mm	14 mm	0 ... 6 m	Connector, metal, M12, 4-pin	AIDA-compliant
68005104	▶ MLC511R14-450	450 mm	14 mm		Connector, metal, M12, 4-pin	AIDA-compliant
68004104	◀ MLC501T14-450	450 mm	14 mm	0 ... 6 m	Connector, metal, M12, 4-pin	AIDA-compliant
68005106	▶ MLC511R14-600	600 mm	14 mm		Connector, metal, M12, 4-pin	AIDA-compliant
68004106	◀ MLC501T14-600	600 mm	14 mm	0 ... 6 m	Connector, metal, M12, 4-pin	AIDA-compliant
68005107	▶ MLC511R14-750	750 mm	14 mm		Connector, metal, M12, 4-pin	AIDA-compliant
68004107	◀ MLC501T14-750	750 mm	14 mm	0 ... 6 m	Connector, metal, M12, 4-pin	AIDA-compliant
68005109	▶ MLC511R14-900	900 mm	14 mm		Connector, metal, M12, 4-pin	AIDA-compliant
68004109	◀ MLC501T14-900	900 mm	14 mm	0 ... 6 m	Connector, metal, M12, 4-pin	AIDA-compliant
68005110	▶ MLC511R14-1050	1,050 mm	14 mm		Connector, metal, M12, 4-pin	AIDA-compliant
68004110	◀ MLC501T14-1050	1,050 mm	14 mm	0 ... 6 m	Connector, metal, M12, 4-pin	AIDA-compliant
68005112	▶ MLC511R14-1200	1,200 mm	14 mm		Connector, metal, M12, 4-pin	AIDA-compliant
68004112	◀ MLC501T14-1200	1,200 mm	14 mm	0 ... 6 m	Connector, metal, M12, 4-pin	AIDA-compliant
68005113	▶ MLC511R14-1350	1,350 mm	14 mm		Connector, metal, M12, 4-pin	AIDA-compliant
68004113	◀ MLC501T14-1350	1,350 mm	14 mm	0 ... 6 m	Connector, metal, M12, 4-pin	AIDA-compliant
68005115	▶ MLC511R14-1500	1,500 mm	14 mm		Connector, metal, M12, 4-pin	AIDA-compliant
68004115	◀ MLC501T14-1500	1,500 mm	14 mm	0 ... 6 m	Connector, metal, M12, 4-pin	AIDA-compliant
68005116	▶ MLC511R14-1650	1,650 mm	14 mm		Connector, metal, M12, 4-pin	AIDA-compliant
68004116	◀ MLC501T14-1650	1,650 mm	14 mm	0 ... 6 m	Connector, metal, M12, 4-pin	AIDA-compliant
68005118	▶ MLC511R14-1800	1,800 mm	14 mm		Connector, metal, M12, 4-pin	AIDA-compliant
68004118	◀ MLC501T14-1800	1,800 mm	14 mm	0 ... 6 m	Connector, metal, M12, 4-pin	AIDA-compliant

▶ receiver / ◀ transmitter

Included in delivery: sliding blocks.

Further products of this series can be found on our website.

Available resolutions: 14 mm, 30 mm.

MLC 520

The Standard version of these type 4 safety light curtains features a start/restart interlock (RES) and contactor monitoring (EDM) for increased performance – and it is simple to handle and integrate into your systems.

Benefits:

- Basic functions such as automatic start/restart, start/restart interlock (RES), contactor monitoring (EDM)
- Optimal handling due to function selection without PC as well as LED and 7-segment display with integrated 3-zone alignment aid
- Prevention of mutual interference of the sensors by selectable transmission channels and range reduction, if applicable
- Short delivery times and global availability
- QR code on the sensor for quick service information

Part no.	Part description	Protective field height	Resolution	Operating range	Connection	Design
68002101	▶ MLC520R14-150	150 mm	14 mm		Connector, metal, M12, 8-pin	
68000101	◀ MLC500T14-150	150 mm	14 mm	0 ... 6 m	Connector, metal, M12, 5-pin	
68002131	▶ MLC520R14-150/V	150 mm	14 mm		Connector, metal, M12, 8-pin	Extra shock-resistant
68000131	◀ MLC500T14-150/V	150 mm	14 mm	0 ... 6 m	Connector, metal, M12, 5-pin	Extra shock-resistant
68002103	▶ MLC520R14-300	300 mm	14 mm		Connector, metal, M12, 8-pin	
68000103	◀ MLC500T14-300	300 mm	14 mm	0 ... 6 m	Connector, metal, M12, 5-pin	
68002133	▶ MLC520R14-300/V	300 mm	14 mm		Connector, metal, M12, 8-pin	Extra shock-resistant
68000133	◀ MLC500T14-300/V	300 mm	14 mm	0 ... 6 m	Connector, metal, M12, 5-pin	Extra shock-resistant

▶ receiver / ◀ transmitter

Included in delivery: sliding blocks.

Further products of this series can be found on our website.

Available resolutions: 14 mm, 20 mm, 30 mm, 40 mm, 90 mm.

Part no.	Part description	Protective field height	Resolution	Operating range	Connection	Design
68002104	► MLC520R14-450	450 mm	14 mm		Connector, metal, M12, 8-pin	
68000104	◄ MLC500T14-450	450 mm	14 mm	0 ... 6 m	Connector, metal, M12, 5-pin	
68002134	► MLC520R14-450/V	450 mm	14 mm		Connector, metal, M12, 8-pin	Extra shock-resistant
68000134	◄ MLC500T14-450/V	450 mm	14 mm	0 ... 6 m	Connector, metal, M12, 5-pin	Extra shock-resistant
68002106	► MLC520R14-600	600 mm	14 mm		Connector, metal, M12, 8-pin	
68000106	◄ MLC500T14-600	600 mm	14 mm	0 ... 6 m	Connector, metal, M12, 5-pin	
68002136	► MLC520R14-600/V	600 mm	14 mm		Connector, metal, M12, 8-pin	Extra shock-resistant
68000136	◄ MLC500T14-600/V	600 mm	14 mm	0 ... 6 m	Connector, metal, M12, 5-pin	Extra shock-resistant
68002107	► MLC520R14-750	750 mm	14 mm		Connector, metal, M12, 8-pin	
68000107	◄ MLC500T14-750	750 mm	14 mm	0 ... 6 m	Connector, metal, M12, 5-pin	
68002137	► MLC520R14-750/V	750 mm	14 mm		Connector, metal, M12, 8-pin	Extra shock-resistant
68000137	◄ MLC500T14-750/V	750 mm	14 mm	0 ... 6 m	Connector, metal, M12, 5-pin	Extra shock-resistant
68002109	► MLC520R14-900	900 mm	14 mm		Connector, metal, M12, 8-pin	
68000109	◄ MLC500T14-900	900 mm	14 mm	0 ... 6 m	Connector, metal, M12, 5-pin	
68002139	► MLC520R14-900/V	900 mm	14 mm		Connector, metal, M12, 8-pin	Extra shock-resistant
68000139	◄ MLC500T14-900/V	900 mm	14 mm	0 ... 6 m	Connector, metal, M12, 5-pin	Extra shock-resistant
68002110	► MLC520R14-1050	1,050 mm	14 mm		Connector, metal, M12, 8-pin	
68000110	◄ MLC500T14-1050	1,050 mm	14 mm	0 ... 6 m	Connector, metal, M12, 5-pin	
68002112	► MLC520R14-1200	1,200 mm	14 mm		Connector, metal, M12, 8-pin	
68000112	◄ MLC500T14-1200	1,200 mm	14 mm	0 ... 6 m	Connector, metal, M12, 5-pin	
68002113	► MLC520R14-1350	1,350 mm	14 mm		Connector, metal, M12, 8-pin	
68000113	◄ MLC500T14-1350	1,350 mm	14 mm	0 ... 6 m	Connector, metal, M12, 5-pin	
68002115	► MLC520R14-1500	1,500 mm	14 mm		Connector, metal, M12, 8-pin	
68000115	◄ MLC500T14-1500	1,500 mm	14 mm	0 ... 6 m	Connector, metal, M12, 5-pin	
68002116	► MLC520R14-1650	1,650 mm	14 mm		Connector, metal, M12, 8-pin	
68000116	◄ MLC500T14-1650	1,650 mm	14 mm	0 ... 6 m	Connector, metal, M12, 5-pin	
68002118	► MLC520R14-1800	1,800 mm	14 mm		Connector, metal, M12, 8-pin	
68000118	◄ MLC500T14-1800	1,800 mm	14 mm	0 ... 6 m	Connector, metal, M12, 5-pin	
68002119	► MLC520R14-1950	1,950 mm	14 mm		Connector, metal, M12, 8-pin	
68000119	◄ MLC500T14-1950	1,950 mm	14 mm	0 ... 6 m	Connector, metal, M12, 5-pin	
68002121	► MLC520R14-2100	2,100 mm	14 mm		Connector, metal, M12, 8-pin	
68000121	◄ MLC500T14-2100	2,100 mm	14 mm	0 ... 6 m	Connector, metal, M12, 5-pin	
68002122	► MLC520R14-2250	2,250 mm	14 mm		Connector, metal, M12, 8-pin	
68000122	◄ MLC500T14-2250	2,250 mm	14 mm	0 ... 6 m	Connector, metal, M12, 5-pin	
68002124	► MLC520R14-2400	2,400 mm	14 mm		Connector, metal, M12, 8-pin	
68000124	◄ MLC500T14-2400	2,400 mm	14 mm	0 ... 6 m	Connector, metal, M12, 5-pin	
68002125	► MLC520R14-2550	2,550 mm	14 mm		Connector, metal, M12, 8-pin	
68000125	◄ MLC500T14-2550	2,550 mm	14 mm	0 ... 6 m	Connector, metal, M12, 5-pin	
68002127	► MLC520R14-2700	2,700 mm	14 mm		Connector, metal, M12, 8-pin	
68000127	◄ MLC500T14-2700	2,700 mm	14 mm	0 ... 6 m	Connector, metal, M12, 5-pin	
68002128	► MLC520R14-2850	2,850 mm	14 mm		Connector, metal, M12, 8-pin	
68000128	◄ MLC500T14-2850	2,850 mm	14 mm	0 ... 6 m	Connector, metal, M12, 5-pin	
68002130	► MLC520R14-3000	3,000 mm	14 mm		Connector, metal, M12, 8-pin	
68000130	◄ MLC500T14-3000	3,000 mm	14 mm	0 ... 6 m	Connector, metal, M12, 5-pin	

► receiver / ◄ transmitter

Included in delivery: sliding blocks.

Further products of this series can be found on our website.

Available resolutions: 14 mm, 20 mm, 30 mm, 40 mm, 90 mm.

Switching sensors

Measuring sensors

Products for safety at work

Identification

Data transmission / Control components

Industrial image processing

Accessories

MLC 530

Whenever you need additional control functions, the MLC 530 Extended version is the perfect choice. With its 5 different operating modes, the integrated muting function and 3 different scan modes, the sensor leaves almost nothing to be desired. Device linking enables the construction of 2-channel, contact-based safety circuits as well as serial connections of several devices with safety-related switching outputs (OSSD).

Benefits:

- Integrated function for timing controlled muting for temporary proper bridging of the protective function, e. g. when transporting materials through the protective field
- Fixed or floating beam blanking, reduced resolution: necessary whenever objects must be in the protective field for operational reasons
- Different scan modes: to adjust availability, select SingleScan, DoubleScan or MaxiScan
- Teaching without PC: configuration and teaching, e. g. of floating beam blanking, is quick and easy

Part no.	Part description	Protective field height	Resolution	Operating range	Connection	Design
68003101	▶ MLC530R14-150	150 mm	14 mm		Connector, metal, M12, 8-pin	
68000101	◀ MLC500T14-150	150 mm	14 mm	0 ... 6 m	Connector, metal, M12, 5-pin	
68003103	▶ MLC530R14-300	300 mm	14 mm		Connector, metal, M12, 8-pin	
68000103	◀ MLC500T14-300	300 mm	14 mm	0 ... 6 m	Connector, metal, M12, 5-pin	
68003133	▶ MLC530R14-300/V	300 mm	14 mm		Connector, metal, M12, 8-pin	Extra shock-resistant
68000133	◀ MLC500T14-300/V	300 mm	14 mm	0 ... 6 m	Connector, metal, M12, 5-pin	Extra shock-resistant
68003104	▶ MLC530R14-450	450 mm	14 mm		Connector, metal, M12, 8-pin	
68000104	◀ MLC500T14-450	450 mm	14 mm	0 ... 6 m	Connector, metal, M12, 5-pin	
68003134	▶ MLC530R14-450/V	450 mm	14 mm		Connector, metal, M12, 8-pin	Extra shock-resistant
68000134	◀ MLC500T14-450/V	450 mm	14 mm	0 ... 6 m	Connector, metal, M12, 5-pin	Extra shock-resistant
68003106	▶ MLC530R14-600	600 mm	14 mm		Connector, metal, M12, 8-pin	
68000106	◀ MLC500T14-600	600 mm	14 mm	0 ... 6 m	Connector, metal, M12, 5-pin	
68003136	▶ MLC530R14-600/V	600 mm	14 mm		Connector, metal, M12, 8-pin	Extra shock-resistant
68000136	◀ MLC500T14-600/V	600 mm	14 mm	0 ... 6 m	Connector, metal, M12, 5-pin	Extra shock-resistant
68003107	▶ MLC530R14-750	750 mm	14 mm		Connector, metal, M12, 8-pin	
68000107	◀ MLC500T14-750	750 mm	14 mm	0 ... 6 m	Connector, metal, M12, 5-pin	
68003137	▶ MLC530R14-750/V	750 mm	14 mm		Connector, metal, M12, 8-pin	Extra shock-resistant
68000137	◀ MLC500T14-750/V	750 mm	14 mm	0 ... 6 m	Connector, metal, M12, 5-pin	Extra shock-resistant
68003109	▶ MLC530R14-900	900 mm	14 mm		Connector, metal, M12, 8-pin	
68000109	◀ MLC500T14-900	900 mm	14 mm	0 ... 6 m	Connector, metal, M12, 5-pin	
68003139	▶ MLC530R14-900/V	900 mm	14 mm		Connector, metal, M12, 8-pin	Extra shock-resistant
68000139	◀ MLC500T14-900/V	900 mm	14 mm	0 ... 6 m	Connector, metal, M12, 5-pin	Extra shock-resistant
68003110	▶ MLC530R14-1050	1,050 mm	14 mm		Connector, metal, M12, 8-pin	
68000110	◀ MLC500T14-1050	1,050 mm	14 mm	0 ... 6 m	Connector, metal, M12, 5-pin	
68003112	▶ MLC530R14-1200	1,200 mm	14 mm		Connector, metal, M12, 8-pin	
68000112	◀ MLC500T14-1200	1,200 mm	14 mm	0 ... 6 m	Connector, metal, M12, 5-pin	
68003113	▶ MLC530R14-1350	1,350 mm	14 mm		Connector, metal, M12, 8-pin	
68000113	◀ MLC500T14-1350	1,350 mm	14 mm	0 ... 6 m	Connector, metal, M12, 5-pin	
68003115	▶ MLC530R14-1500	1,500 mm	14 mm		Connector, metal, M12, 8-pin	
68000115	◀ MLC500T14-1500	1,500 mm	14 mm	0 ... 6 m	Connector, metal, M12, 5-pin	
68003116	▶ MLC530R14-1650	1,650 mm	14 mm		Connector, metal, M12, 8-pin	
68000116	◀ MLC500T14-1650	1,650 mm	14 mm	0 ... 6 m	Connector, metal, M12, 5-pin	
68003118	▶ MLC530R14-1800	1,800 mm	14 mm		Connector, metal, M12, 8-pin	
68000118	◀ MLC500T14-1800	1,800 mm	14 mm	0 ... 6 m	Connector, metal, M12, 5-pin	
68003119	▶ MLC530R14-1950	1,950 mm	14 mm		Connector, metal, M12, 8-pin	
68000119	◀ MLC500T14-1950	1,950 mm	14 mm	0 ... 6 m	Connector, metal, M12, 5-pin	
68003121	▶ MLC530R14-2100	2,100 mm	14 mm		Connector, metal, M12, 8-pin	
68000121	◀ MLC500T14-2100	2,100 mm	14 mm	0 ... 6 m	Connector, metal, M12, 5-pin	
68003122	▶ MLC530R14-2250	2,250 mm	14 mm		Connector, metal, M12, 8-pin	
68000122	◀ MLC500T14-2250	2,250 mm	14 mm	0 ... 6 m	Connector, metal, M12, 5-pin	
68003124	▶ MLC530R14-2400	2,400 mm	14 mm		Connector, metal, M12, 8-pin	
68000124	◀ MLC500T14-2400	2,400 mm	14 mm	0 ... 6 m	Connector, metal, M12, 5-pin	
68003125	▶ MLC530R14-2550	2,550 mm	14 mm		Connector, metal, M12, 8-pin	
68000125	◀ MLC500T14-2550	2,550 mm	14 mm	0 ... 6 m	Connector, metal, M12, 5-pin	
68003127	▶ MLC530R14-2700	2,700 mm	14 mm		Connector, metal, M12, 8-pin	
68000127	◀ MLC500T14-2700	2,700 mm	14 mm	0 ... 6 m	Connector, metal, M12, 5-pin	
68003128	▶ MLC530R14-2850	2,850 mm	14 mm		Connector, metal, M12, 8-pin	
68000128	◀ MLC500T14-2850	2,850 mm	14 mm	0 ... 6 m	Connector, metal, M12, 5-pin	
68003130	▶ MLC530R14-3000	3,000 mm	14 mm		Connector, metal, M12, 8-pin	
68000130	◀ MLC500T14-3000	3,000 mm	14 mm	0 ... 6 m	Connector, metal, M12, 5-pin	

▶ receiver / ◀ transmitter

Included in delivery: sliding blocks.

Further products of this series can be found on our website.

Available resolutions: 14 mm, 20 mm, 30 mm, 40 mm, 90 mm.

MLC 530 SPG

The MLC 530 SPG Smart Process Gating variant is the specialist for access guarding with material transport. It allows for a particularly compact system design as it works without the use of muting sensors. Process control takes place here in combination with the system controller. This provides a high level of protection against tampering and at the same time a high degree of availability.

Benefits:

- Integrated Smart Process Gating function for process control together with the system controller, no muting sensors necessary
- Allows the system to be very compact and thus saves valuable space
- Optimal handling due to function selection without PC as well as LED and 7-segment display with integrated 3-zone alignment aid
- Reduced risk of tampering and increased reliability for a high degree of system availability

Part no.	Part description	Protective field height	Resolution	Operating range	Connection	Design
68009301	▶ MLC530R30-150-SPG	150 mm	30 mm		Connector, metal, M12, 8-pin	Smart Process Gating
68000301	◀ MLC500T30-150	150 mm	30 mm	0 ... 10 m	Connector, metal, M12, 5-pin	
68009302	▶ MLC530R30-225-SPG	225 mm	30 mm		Connector, metal, M12, 8-pin	Smart Process Gating
68000302	◀ MLC500T30-225	225 mm	30 mm	0 ... 10 m	Connector, metal, M12, 5-pin	
68009303	▶ MLC530R30-300-SPG	300 mm	30 mm		Connector, metal, M12, 8-pin	Smart Process Gating
68000303	◀ MLC500T30-300	300 mm	30 mm	0 ... 10 m	Connector, metal, M12, 5-pin	
68009304	▶ MLC530R30-450-SPG	450 mm	30 mm		Connector, metal, M12, 8-pin	Smart Process Gating
68000304	◀ MLC500T30-450	450 mm	30 mm	0 ... 10 m	Connector, metal, M12, 5-pin	
68009306	▶ MLC530R30-600-SPG	600 mm	30 mm		Connector, metal, M12, 8-pin	Smart Process Gating
68000306	◀ MLC500T30-600	600 mm	30 mm	0 ... 10 m	Connector, metal, M12, 5-pin	
68009307	▶ MLC530R30-750-SPG	750 mm	30 mm		Connector, metal, M12, 8-pin	Smart Process Gating
68000307	◀ MLC500T30-750	750 mm	30 mm	0 ... 10 m	Connector, metal, M12, 5-pin	
68009309	▶ MLC530R30-900-SPG	900 mm	30 mm		Connector, metal, M12, 8-pin	Smart Process Gating
68000309	◀ MLC500T30-900	900 mm	30 mm	0 ... 10 m	Connector, metal, M12, 5-pin	
68009310	▶ MLC530R30-1050-SPG	1,050 mm	30 mm		Connector, metal, M12, 8-pin	Smart Process Gating
68000310	◀ MLC500T30-1050	1,050 mm	30 mm	0 ... 10 m	Connector, metal, M12, 5-pin	
68009312	▶ MLC530R30-1200-SPG	1,200 mm	30 mm		Connector, metal, M12, 8-pin	Smart Process Gating
68000312	◀ MLC500T30-1200	1,200 mm	30 mm	0 ... 10 m	Connector, metal, M12, 5-pin	
68009313	▶ MLC530R30-1350-SPG	1,350 mm	30 mm		Connector, metal, M12, 8-pin	Smart Process Gating
68000313	◀ MLC500T30-1350	1,350 mm	30 mm	0 ... 10 m	Connector, metal, M12, 5-pin	
68009315	▶ MLC530R30-1500-SPG	1,500 mm	30 mm		Connector, metal, M12, 8-pin	Smart Process Gating
68000315	◀ MLC500T30-1500	1,500 mm	30 mm	0 ... 10 m	Connector, metal, M12, 5-pin	
68009316	▶ MLC530R30-1650-SPG	1,650 mm	30 mm		Connector, metal, M12, 8-pin	Smart Process Gating
68000316	◀ MLC500T30-1650	1,650 mm	30 mm	0 ... 10 m	Connector, metal, M12, 5-pin	
68009318	▶ MLC530R30-1800-SPG	1,800 mm	30 mm		Connector, metal, M12, 8-pin	Smart Process Gating
68000318	◀ MLC500T30-1800	1,800 mm	30 mm	0 ... 10 m	Connector, metal, M12, 5-pin	
68009319	▶ MLC530R30-1950-SPG	1,950 mm	30 mm		Connector, metal, M12, 8-pin	Smart Process Gating
68000319	◀ MLC500T30-1950	1,950 mm	30 mm	0 ... 10 m	Connector, metal, M12, 5-pin	
68009321	▶ MLC530R30-2100-SPG	2,100 mm	30 mm		Connector, metal, M12, 8-pin	Smart Process Gating
68000321	◀ MLC500T30-2100	2,100 mm	30 mm	0 ... 10 m	Connector, metal, M12, 5-pin	
68009322	▶ MLC530R30-2250-SPG	2,250 mm	30 mm		Connector, metal, M12, 8-pin	Smart Process Gating
68000322	◀ MLC500T30-2250	2,250 mm	30 mm	0 ... 10 m	Connector, metal, M12, 5-pin	
68009324	▶ MLC530R30-2400-SPG	2,400 mm	30 mm		Connector, metal, M12, 8-pin	Smart Process Gating
68000324	◀ MLC500T30-2400	2,400 mm	30 mm	0 ... 10 m	Connector, metal, M12, 5-pin	
68009325	▶ MLC530R30-2550-SPG	2,550 mm	30 mm		Connector, metal, M12, 8-pin	Smart Process Gating
68000325	◀ MLC500T30-2550	2,550 mm	30 mm	0 ... 10 m	Connector, metal, M12, 5-pin	
68009327	▶ MLC530R30-2700-SPG	2,700 mm	30 mm		Connector, metal, M12, 8-pin	Smart Process Gating
68000327	◀ MLC500T30-2700	2,700 mm	30 mm	0 ... 10 m	Connector, metal, M12, 5-pin	
68009328	▶ MLC530R30-2850-SPG	2,850 mm	30 mm		Connector, metal, M12, 8-pin	Smart Process Gating
68000328	◀ MLC500T30-2850	2,850 mm	30 mm	0 ... 10 m	Connector, metal, M12, 5-pin	
68009330	▶ MLC530R30-3000-SPG	3,000 mm	30 mm		Connector, metal, M12, 8-pin	Smart Process Gating
68000330	◀ MLC500T30-3000	3,000 mm	30 mm	0 ... 10 m	Connector, metal, M12, 5-pin	

▶ receiver / ◀ transmitter

Included in delivery: sliding blocks.

Further products of this series can be found on our website.

Available resolutions: 30 mm, 40 mm, 90 mm.

Switching sensors

Measuring sensors

Products for safety at work

Identification

Data transmission / Control components

Industrial image processing

Accessories

MLC 520 Host

The so-called Host-Guest devices enable the combination of access guarding or point of operation guarding with area protection. In this way, it is possible, for example, to eliminate additional measures such as guards to protect against stepping behind machines. The variants with AS-i interface facilitate the direct and economical integration in an AS-Interface network. Furthermore, the MLC HG devices offer all of the advantages of the MLC 500 series.

Benefits:

- Point of operation guarding with area protection
- Multi-side guarding thanks to optimized cable routing

Part no.	Part description	Protective field height	Resolution	Operating range	Connection	Connection 2	Design
68017103	► MLC510R14-300H/A	300 mm	14 mm		Connector, metal, M12, 5-pin	Cable with connector, plastic, M12, 8-pin, 330 mm	AS-Interface Safety at Work, host
68016103	◄ MLC500T14-300H/A	300 mm	14 mm	0...6 m	Connector, metal, M12, 5-pin	Cable with connector, plastic, M12, 8-pin, 330 mm	AS-Interface Safety at Work, host
68012103	► MLC520R14-300H	300 mm	14 mm		Connector, metal, M12, 8-pin	Cable with connector, plastic, M12, 8-pin, 330 mm	Host
68010103	◄ MLC500T14-300H	300 mm	14 mm	0...6 m	Connector, metal, M12, 5-pin	Cable with connector, plastic, M12, 8-pin, 330 mm	Host
68017104	► MLC510R14-450H/A	450 mm	14 mm		Connector, metal, M12, 5-pin	Cable with connector, plastic, M12, 8-pin, 330 mm	AS-Interface Safety at Work, host
68016104	◄ MLC500T14-450H/A	450 mm	14 mm	0...6 m	Connector, metal, M12, 5-pin	Cable with connector, plastic, M12, 8-pin, 330 mm	AS-Interface Safety at Work, host
68012104	► MLC520R14-450H	450 mm	14 mm		Connector, metal, M12, 8-pin	Cable with connector, plastic, M12, 8-pin, 330 mm	Host
68010104	◄ MLC500T14-450H	450 mm	14 mm	0...6 m	Connector, metal, M12, 5-pin	Cable with connector, plastic, M12, 8-pin, 330 mm	Host
68017106	► MLC510R14-600H/A	600 mm	14 mm		Connector, metal, M12, 5-pin	Cable with connector, plastic, M12, 8-pin, 330 mm	AS-Interface Safety at Work, host
68016106	◄ MLC500T14-600H/A	600 mm	14 mm	0...6 m	Connector, metal, M12, 5-pin	Cable with connector, plastic, M12, 8-pin, 330 mm	AS-Interface Safety at Work, host
68012106	► MLC520R14-600H	600 mm	14 mm		Connector, metal, M12, 8-pin	Cable with connector, plastic, M12, 8-pin, 330 mm	Host
68010106	◄ MLC500T14-600H	600 mm	14 mm	0...6 m	Connector, metal, M12, 5-pin	Cable with connector, plastic, M12, 8-pin, 330 mm	Host
68017107	► MLC510R14-750H/A	750 mm	14 mm		Connector, metal, M12, 5-pin	Cable with connector, plastic, M12, 8-pin, 330 mm	AS-Interface Safety at Work, host
68016107	◄ MLC500T14-750H/A	750 mm	14 mm	0...6 m	Connector, metal, M12, 5-pin	Cable with connector, plastic, M12, 8-pin, 330 mm	AS-Interface Safety at Work, host
68012107	► MLC520R14-750H	750 mm	14 mm		Connector, metal, M12, 8-pin	Cable with connector, plastic, M12, 8-pin, 330 mm	Host
68010107	◄ MLC500T14-750H	750 mm	14 mm	0...6 m	Connector, metal, M12, 5-pin	Cable with connector, plastic, M12, 8-pin, 330 mm	Host
68017109	► MLC510R14-900H/A	900 mm	14 mm		Connector, metal, M12, 5-pin	Cable with connector, plastic, M12, 8-pin, 330 mm	AS-Interface Safety at Work, host
68016109	◄ MLC500T14-900H/A	900 mm	14 mm	0...6 m	Connector, metal, M12, 5-pin	Cable with connector, plastic, M12, 8-pin, 330 mm	AS-Interface Safety at Work, host
68012109	► MLC520R14-900H	900 mm	14 mm		Connector, metal, M12, 8-pin	Cable with connector, plastic, M12, 8-pin, 330 mm	Host
68010109	◄ MLC500T14-900H	900 mm	14 mm	0...6 m	Connector, metal, M12, 5-pin	Cable with connector, plastic, M12, 8-pin, 330 mm	Host
68017110	► MLC510R14-1050H/A	1,050 mm	14 mm		Connector, metal, M12, 5-pin	Cable with connector, plastic, M12, 8-pin, 330 mm	AS-Interface Safety at Work, host
68016110	◄ MLC500T14-1050H/A	1,050 mm	14 mm	0...6 m	Connector, metal, M12, 5-pin	Cable with connector, plastic, M12, 8-pin, 330 mm	AS-Interface Safety at Work, host
68012110	► MLC520R14-1050H	1,050 mm	14 mm		Connector, metal, M12, 8-pin	Cable with connector, plastic, M12, 8-pin, 330 mm	Host
68010110	◄ MLC500T14-1050H	1,050 mm	14 mm	0...6 m	Connector, metal, M12, 5-pin	Cable with connector, plastic, M12, 8-pin, 330 mm	Host
68017112	► MLC510R14-1200H/A	1,200 mm	14 mm		Connector, metal, M12, 5-pin	Cable with connector, plastic, M12, 8-pin, 330 mm	AS-Interface Safety at Work, host
68016112	◄ MLC500T14-1200H/A	1,200 mm	14 mm	0...6 m	Connector, metal, M12, 5-pin	Cable with connector, plastic, M12, 8-pin, 330 mm	AS-Interface Safety at Work, host
68012112	► MLC520R14-1200H	1,200 mm	14 mm		Connector, metal, M12, 8-pin	Cable with connector, plastic, M12, 8-pin, 330 mm	Host
68010112	◄ MLC500T14-1200H	1,200 mm	14 mm	0...6 m	Connector, metal, M12, 5-pin	Cable with connector, plastic, M12, 8-pin, 330 mm	Host
68017113	► MLC510R14-1350H/A	1,350 mm	14 mm		Connector, metal, M12, 5-pin	Cable with connector, plastic, M12, 8-pin, 330 mm	AS-Interface Safety at Work, host
68016113	◄ MLC500T14-1350H/A	1,350 mm	14 mm	0...6 m	Connector, metal, M12, 5-pin	Cable with connector, plastic, M12, 8-pin, 330 mm	AS-Interface Safety at Work, host
68012113	► MLC520R14-1350H	1,350 mm	14 mm		Connector, metal, M12, 8-pin	Cable with connector, plastic, M12, 8-pin, 330 mm	Host
68010113	◄ MLC500T14-1350H	1,350 mm	14 mm	0...6 m	Connector, metal, M12, 5-pin	Cable with connector, plastic, M12, 8-pin, 330 mm	Host
68017115	► MLC510R14-1500H/A	1,500 mm	14 mm		Connector, metal, M12, 5-pin	Cable with connector, plastic, M12, 8-pin, 330 mm	AS-Interface Safety at Work, host
68016115	◄ MLC500T14-1500H/A	1,500 mm	14 mm	0...6 m	Connector, metal, M12, 5-pin	Cable with connector, plastic, M12, 8-pin, 330 mm	AS-Interface Safety at Work, host

► receiver / ◄ transmitter

Included in delivery: sliding blocks.

Further products of this series can be found on our website.

Available resolutions: 14 mm, 20 mm, 30 mm, 40 mm, 90 mm.

Part no.	Part description	Protective field height	Resolution	Operating range	Connection	Connection 2	Design
68012115	► MLC520R14-1500H	1,500 mm	14 mm		Connector, metal, M12, 8-pin	Cable with connector, plastic, M12, 8-pin, 330 mm	Host
68010115	◄ MLC500T14-1500H	1,500 mm	14 mm	0 ... 6 m	Connector, metal, M12, 5-pin	Cable with connector, plastic, M12, 8-pin, 330 mm	Host
68017116	► MLC510R14-1650H/A	1,650 mm	14 mm		Connector, metal, M12, 5-pin	Cable with connector, plastic, M12, 8-pin, 330 mm	AS-Interface Safety at Work, host
68016116	◄ MLC500T14-1650H/A	1,650 mm	14 mm	0 ... 6 m	Connector, metal, M12, 5-pin	Cable with connector, plastic, M12, 8-pin, 330 mm	AS-Interface Safety at Work, host
68012116	► MLC520R14-1650H	1,650 mm	14 mm		Connector, metal, M12, 8-pin	Cable with connector, plastic, M12, 8-pin, 330 mm	Host
68010116	◄ MLC500T14-1650H	1,650 mm	14 mm	0 ... 6 m	Connector, metal, M12, 5-pin	Cable with connector, plastic, M12, 8-pin, 330 mm	Host
68017118	► MLC510R14-1800H/A	1,800 mm	14 mm		Connector, metal, M12, 5-pin	Cable with connector, plastic, M12, 8-pin, 330 mm	AS-Interface Safety at Work, host
68016118	◄ MLC500T14-1800H/A	1,800 mm	14 mm	0 ... 6 m	Connector, metal, M12, 5-pin	Cable with connector, plastic, M12, 8-pin, 330 mm	AS-Interface Safety at Work, host
68012118	► MLC520R14-1800H	1,800 mm	14 mm		Connector, metal, M12, 8-pin	Cable with connector, plastic, M12, 8-pin, 330 mm	Host
68010118	◄ MLC500T14-1800H	1,800 mm	14 mm	0 ... 6 m	Connector, metal, M12, 5-pin	Cable with connector, plastic, M12, 8-pin, 330 mm	Host

► receiver / ◄ transmitter
 Included in delivery: sliding blocks.
 Further products of this series can be found on our website.
 Available resolutions: 14 mm, 20 mm, 30 mm, 40 mm, 90 mm.

MLC 520 MiddleGuest

The so-called Host-Guest devices enable the combination of access guarding or point of operation guarding with area protection. In this way, it is possible, for example, to eliminate additional measures such as guards to protect against stepping behind machines. The MiddleGuest devices can be used as the middle segment of a three-link chain.

Benefits:

- Point of operation guarding with area protection
- Multi-side guarding thanks to optimized cable routing

Part no.	Part description	Protective field height	Resolution	Operating range	Connection	Connection 2	Design
68023103	► MLC520R14-300MG	300 mm	14 mm		Cable with connector, plastic, M12, 8-pin, 330 mm	Cable with connector, plastic, M12, 8-pin, 330 mm	Middle Guest
68022103	◄ MLC500T14-300MG	300 mm	14 mm	0 ... 6 m	Cable with connector, plastic, M12, 8-pin, 330 mm	Cable with connector, plastic, M12, 8-pin, 330 mm	Middle Guest
68023104	► MLC520R14-450MG	450 mm	14 mm		Cable with connector, plastic, M12, 8-pin, 330 mm	Cable with connector, plastic, M12, 8-pin, 330 mm	Middle Guest
68022104	◄ MLC500T14-450MG	450 mm	14 mm	0 ... 6 m	Cable with connector, plastic, M12, 8-pin, 330 mm	Cable with connector, plastic, M12, 8-pin, 330 mm	Middle Guest
68023106	► MLC520R14-600MG	600 mm	14 mm		Cable with connector, plastic, M12, 8-pin, 330 mm	Cable with connector, plastic, M12, 8-pin, 330 mm	Middle Guest
68022106	◄ MLC500T14-600MG	600 mm	14 mm	0 ... 6 m	Cable with connector, plastic, M12, 8-pin, 330 mm	Cable with connector, plastic, M12, 8-pin, 330 mm	Middle Guest
68023107	► MLC520R14-750MG	750 mm	14 mm		Cable with connector, plastic, M12, 8-pin, 330 mm	Cable with connector, plastic, M12, 8-pin, 330 mm	Middle Guest
68022107	◄ MLC500T14-750MG	750 mm	14 mm	0 ... 6 m	Cable with connector, plastic, M12, 8-pin, 330 mm	Cable with connector, plastic, M12, 8-pin, 330 mm	Middle Guest
68023109	► MLC520R14-900MG	900 mm	14 mm		Cable with connector, plastic, M12, 8-pin, 330 mm	Cable with connector, plastic, M12, 8-pin, 330 mm	Middle Guest
68022109	◄ MLC500T14-900MG	900 mm	14 mm	0 ... 6 m	Cable with connector, plastic, M12, 8-pin, 330 mm	Cable with connector, plastic, M12, 8-pin, 330 mm	Middle Guest
68023110	► MLC520R14-1050MG	1,050 mm	14 mm		Cable with connector, plastic, M12, 8-pin, 330 mm	Cable with connector, plastic, M12, 8-pin, 330 mm	Middle Guest
68022110	◄ MLC500T14-1050MG	1,050 mm	14 mm	0 ... 6 m	Cable with connector, plastic, M12, 8-pin, 330 mm	Cable with connector, plastic, M12, 8-pin, 330 mm	Middle Guest
68023112	► MLC520R14-1200MG	1,200 mm	14 mm		Cable with connector, plastic, M12, 8-pin, 330 mm	Cable with connector, plastic, M12, 8-pin, 330 mm	Middle Guest
68022112	◄ MLC500T14-1200MG	1,200 mm	14 mm	0 ... 6 m	Cable with connector, plastic, M12, 8-pin, 330 mm	Cable with connector, plastic, M12, 8-pin, 330 mm	Middle Guest
68023113	► MLC520R14-1350MG	1,350 mm	14 mm		Cable with connector, plastic, M12, 8-pin, 330 mm	Cable with connector, plastic, M12, 8-pin, 330 mm	Middle Guest
68022113	◄ MLC500T14-1350MG	1,350 mm	14 mm	0 ... 6 m	Cable with connector, plastic, M12, 8-pin, 330 mm	Cable with connector, plastic, M12, 8-pin, 330 mm	Middle Guest
68023115	► MLC520R14-1500MG	1,500 mm	14 mm		Cable with connector, plastic, M12, 8-pin, 330 mm	Cable with connector, plastic, M12, 8-pin, 330 mm	Middle Guest
68022115	◄ MLC500T14-1500MG	1,500 mm	14 mm	0 ... 6 m	Cable with connector, plastic, M12, 8-pin, 330 mm	Cable with connector, plastic, M12, 8-pin, 330 mm	Middle Guest
68023116	► MLC520R14-1650MG	1,650 mm	14 mm		Cable with connector, plastic, M12, 8-pin, 330 mm	Cable with connector, plastic, M12, 8-pin, 330 mm	Middle Guest
68022116	◄ MLC500T14-1650MG	1,650 mm	14 mm	0 ... 6 m	Cable with connector, plastic, M12, 8-pin, 330 mm	Cable with connector, plastic, M12, 8-pin, 330 mm	Middle Guest
68023118	► MLC520R14-1800MG	1,800 mm	14 mm		Cable with connector, plastic, M12, 8-pin, 330 mm	Cable with connector, plastic, M12, 8-pin, 330 mm	Middle Guest
68022118	◄ MLC500T14-1800MG	1,800 mm	14 mm	0 ... 6 m	Cable with connector, plastic, M12, 8-pin, 330 mm	Cable with connector, plastic, M12, 8-pin, 330 mm	Middle Guest

► receiver / ◄ transmitter
 Included in delivery: sliding blocks.
 Further products of this series can be found on our website.
 Available resolutions: 14 mm, 20 mm, 30 mm, 40 mm, 90 mm.

Switching sensors

Measuring sensors

Products for safety at work

Identification

Data transmission / Control components

Industrial image processing

Accessories

MLC 520 Guest

The so-called Host-Guest devices enable the combination of access guarding or point of operation guarding with area protection. In this way, it is possible, for example, to eliminate additional measures such as guards to protect against stepping behind machines. The Guest devices are always the final device in a 2 to 3-link chain.

Benefits:

- Point of operation guarding with area protection
- Multi-side guarding thanks to optimized cable routing

Part no.	Part description	Protective field height	Resolution	Operating range	Connection	Design
68021101	► MLC520R14-150G	150 mm	14 mm		Cable with connector, plastic, M12, 8-pin, 330 mm	Guest
68020101	◄ MLC500T14-150G	150 mm	14 mm	0 ... 6 m	Cable with connector, plastic, M12, 8-pin, 330 mm	Guest
68021103	► MLC520R14-300G	300 mm	14 mm		Cable with connector, plastic, M12, 8-pin, 330 mm	Guest
68020103	◄ MLC500T14-300G	300 mm	14 mm	0 ... 6 m	Cable with connector, plastic, M12, 8-pin, 330 mm	Guest
68021104	► MLC520R14-450G	450 mm	14 mm		Cable with connector, plastic, M12, 8-pin, 330 mm	Guest
68020104	◄ MLC500T14-450G	450 mm	14 mm	0 ... 6 m	Cable with connector, plastic, M12, 8-pin, 330 mm	Guest
68021106	► MLC520R14-600G	600 mm	14 mm		Cable with connector, plastic, M12, 8-pin, 330 mm	Guest
68020106	◄ MLC500T14-600G	600 mm	14 mm	0 ... 6 m	Cable with connector, plastic, M12, 8-pin, 330 mm	Guest
68021107	► MLC520R14-750G	750 mm	14 mm		Cable with connector, plastic, M12, 8-pin, 330 mm	Guest
68020107	◄ MLC500T14-750G	750 mm	14 mm	0 ... 6 m	Cable with connector, plastic, M12, 8-pin, 330 mm	Guest
68021109	► MLC520R14-900G	900 mm	14 mm		Cable with connector, plastic, M12, 8-pin, 330 mm	Guest
68020109	◄ MLC500T14-900G	900 mm	14 mm	0 ... 6 m	Cable with connector, plastic, M12, 8-pin, 330 mm	Guest
68021110	► MLC520R14-1050G	1,050 mm	14 mm		Cable with connector, plastic, M12, 8-pin, 330 mm	Guest
68020110	◄ MLC500T14-1050G	1,050 mm	14 mm	0 ... 6 m	Cable with connector, plastic, M12, 8-pin, 330 mm	Guest
68021112	► MLC520R14-1200G	1,200 mm	14 mm		Cable with connector, plastic, M12, 8-pin, 330 mm	Guest
68020112	◄ MLC500T14-1200G	1,200 mm	14 mm	0 ... 6 m	Cable with connector, plastic, M12, 8-pin, 330 mm	Guest
68021113	► MLC520R14-1350G	1,350 mm	14 mm		Cable with connector, plastic, M12, 8-pin, 330 mm	Guest
68020113	◄ MLC500T14-1350G	1,350 mm	14 mm	0 ... 6 m	Cable with connector, plastic, M12, 8-pin, 330 mm	Guest
68021115	► MLC520R14-1500G	1,500 mm	14 mm		Cable with connector, plastic, M12, 8-pin, 330 mm	Guest
68020115	◄ MLC500T14-1500G	1,500 mm	14 mm	0 ... 6 m	Cable with connector, plastic, M12, 8-pin, 330 mm	Guest
68021116	► MLC520R14-1650G	1,650 mm	14 mm		Cable with connector, plastic, M12, 8-pin, 330 mm	Guest
68020116	◄ MLC500T14-1650G	1,650 mm	14 mm	0 ... 6 m	Cable with connector, plastic, M12, 8-pin, 330 mm	Guest
68021118	► MLC520R14-1800G	1,800 mm	14 mm		Cable with connector, plastic, M12, 8-pin, 330 mm	Guest
68020118	◄ MLC500T14-1800G	1,800 mm	14 mm	0 ... 6 m	Cable with connector, plastic, M12, 8-pin, 330 mm	Guest

► receiver / ◄ transmitter

Included in delivery: sliding blocks.

Further products of this series can be found on our website.

Available resolutions: 14 mm, 20 mm, 30 mm, 40 mm, 90 mm.

MLC 520 EX

The MLC 520 EX2 series is certified for use in potentially explosive areas of group II, category 3, zone 2 (gas) and zone 22 (dust). The function range of these type 4 safety light curtains corresponds to the MLC 520 standard version and thus also offers a start/restart interlock (RES) and contactor monitoring (EDM) for increased performance – with very simple handling and integration.

Benefits:

- Basic functions such as automatic start/restart, start/restart interlock (RES), contactor monitoring (EDM)
- Optimal handling due to function selection without PC as well as LED and 7-segment display with integrated 3-zone alignment aid
- Prevention of mutual interference of the sensors by selectable transmission channels and range reduction, if applicable
- Short delivery times and global availability
- QR code on the sensor for quick service information
- Approved for use in potentially explosive areas of group II, category 3, zone 2 (gas) and zone 22 (dust)

Part no.	Part description	Protective field height	Resolution	Operating range	Connection	Design
68042206	► MLC520R20-600-EX2	600 mm	20 mm		Connector, metal, M12, 8-pin	Ex-protection
68040206	◄ MLC500T20-600-EX2	600 mm	20 mm	0 ... 15 m	Connector, metal, M12, 5-pin	Ex-protection
68042207	► MLC520R20-750-EX2	750 mm	20 mm		Connector, metal, M12, 8-pin	Ex-protection
68040207	◄ MLC500T20-750-EX2	750 mm	20 mm	0 ... 15 m	Connector, metal, M12, 5-pin	Ex-protection
68042209	► MLC520R20-900-EX2	900 mm	20 mm		Connector, metal, M12, 8-pin	Ex-protection
68040209	◄ MLC500T20-900-EX2	900 mm	20 mm	0 ... 15 m	Connector, metal, M12, 5-pin	Ex-protection
68042210	► MLC520R20-1050-EX2	1,050 mm	20 mm		Connector, metal, M12, 8-pin	Ex-protection
68040210	◄ MLC500T20-1050-EX2	1,050 mm	20 mm	0 ... 15 m	Connector, metal, M12, 5-pin	Ex-protection
68042212	► MLC520R20-1200-EX2	1,200 mm	20 mm		Connector, metal, M12, 8-pin	Ex-protection
68040212	◄ MLC500T20-1200-EX2	1,200 mm	20 mm	0 ... 15 m	Connector, metal, M12, 5-pin	Ex-protection

► receiver / ◄ transmitter

Included in delivery: sliding blocks.

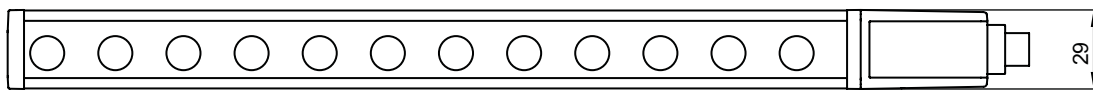
Further products of this series can be found on our website.

Available resolutions: 20 mm, 30 mm.

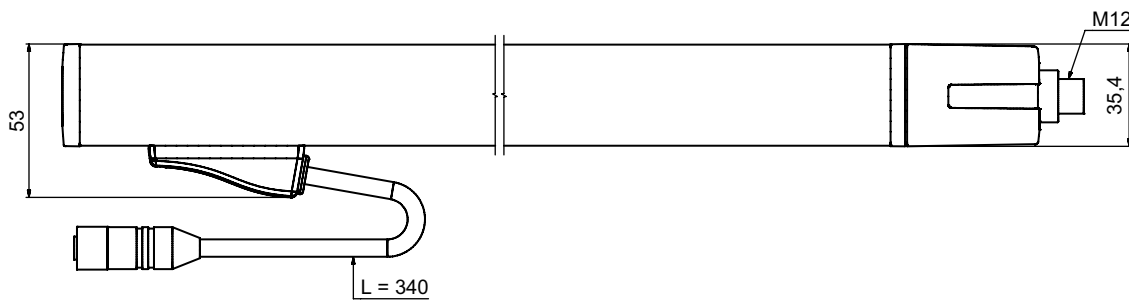
Part no.	Part description	Protective field height	Resolution	Operating range	Connection	Design
68042213	► MLC520R20-1350-EX2	1,350 mm	20 mm		Connector, metal, M12, 8-pin	Ex-protection
68040213	◄ MLC500T20-1350-EX2	1,350 mm	20 mm	0 ... 15 m	Connector, metal, M12, 5-pin	Ex-protection
68042215	► MLC520R20-1500-EX2	1,500 mm	20 mm		Connector, metal, M12, 8-pin	Ex-protection
68040215	◄ MLC500T20-1500-EX2	1,500 mm	20 mm	0 ... 15 m	Connector, metal, M12, 5-pin	Ex-protection

► receiver / ◄ transmitter
 Included in delivery: sliding blocks.
 Further products of this series can be found on our website.
 Available resolutions: 20 mm, 30 mm.

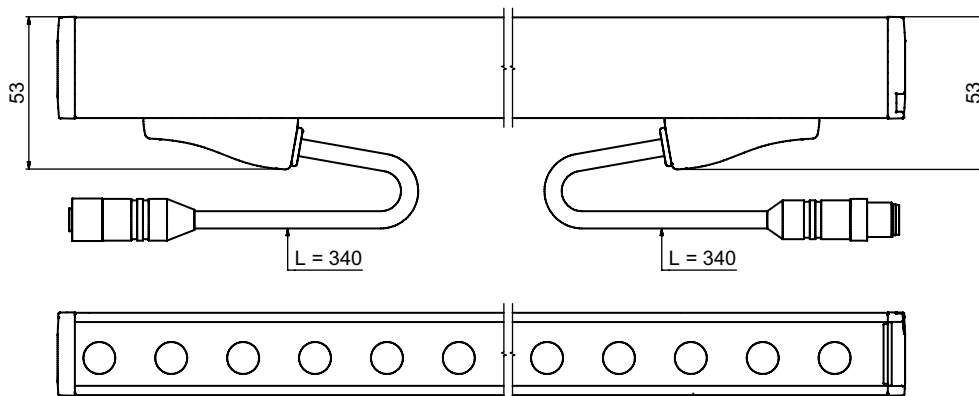
Dimensioned drawings: MLC 500



MLC 500 safety light curtain



MLC 500 safety light curtain, Host



MLC 500 safety light curtain, MiddleGuest

Switching sensors

Measuring sensors

Products for safety at work

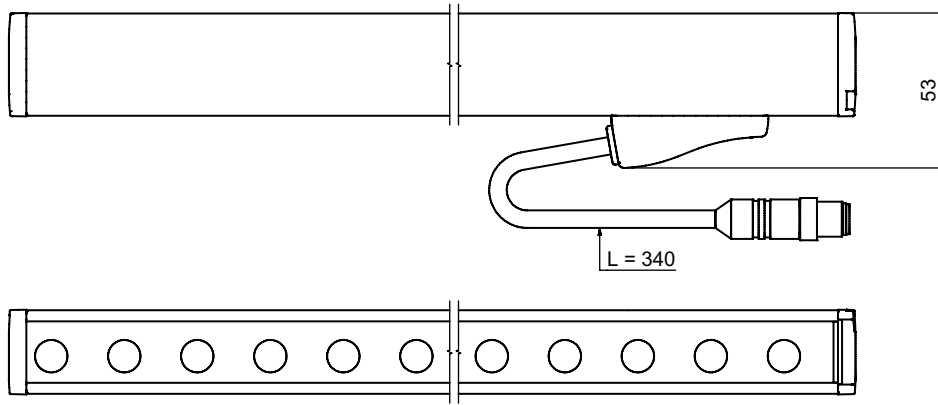
Identification

Data transmission / Control components

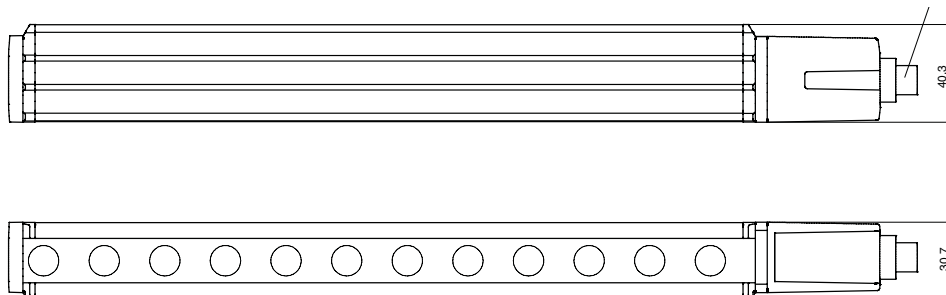
Industrial image processing

Accessories

Dimensioned drawings: MLC 500



MLC 500 safety light curtain, Guest



MLC 520 EX safety light curtain